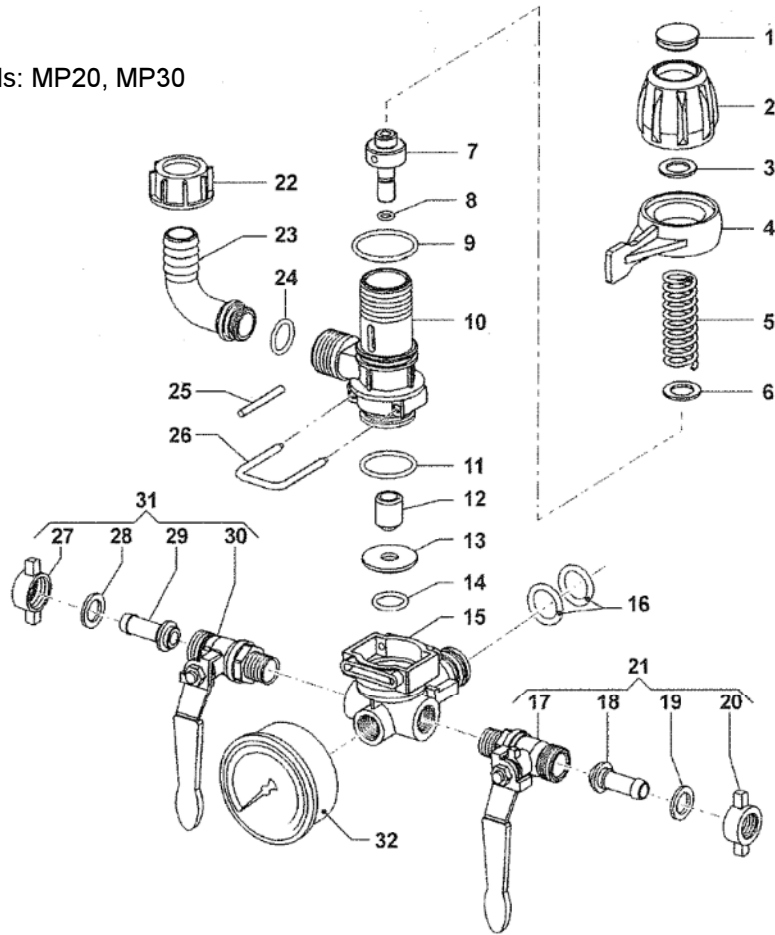




1204.0560.00

Fits models: MP20, MP30



CONTROLS

#	PART #	DESCRIPTION	NOTE
1	3202.0255.00	30 BAR PLUG	BLUE
2	1223.0097.00	ADJUSTABLE NUT	
4	1600.0076.00	LEVER	
5	1802.0048.00	SPRING	e22x59
7	2426.0024.00	VALVE GUIDE	
8	1210.0072.00	VITON O-RING	2x6
9	1210.0461.00	O-RING	2x32
10	0424.0432.00	BODY	
11	1210.0079.00	VITON O-RING	2,62x26,65
12	3600.0009.00	PRESSURE VALVE	
13	3009.0133.00	VALVE SEAT	
14	1210.0021.00	O-RING	2,62x15,54
15	0424.0370.00	CONTROL ASSY BODY	
16	1210.0002.00	O-RING	2,62x20,7
17	2826.0029.00	RIGHT TAP	3/8-1/2 GAS
18	2802.0018.00	HOSE BARB	8x10

#	PART #	DESCRIPTION	NOTE
19	1209.0013.00	GASKET	12x18x2
20	1200.0038.00	RIGHT WING NUT	1/2" GAS
21	1214.0015.00	RIGHT COMPLETE TAP	
22	1200.0059.00	WING NUT	G3/4
23	2801.0076.00	BYPASS BARB - 3/4"	19-G3/4
	2801.0080.00	BYPASS BARB - 1/2"	13 G3/4
24	1210.0036.00	O-RING	2,62x13,10
25	3005.0027.00	PIN	4x40
26	1202.0051.00	HOOK	
27	1200.0038.00	LEFT WING NUT	1/2" GAS
28	1209.0013.00	GASKET	12x18x2
29	2802.0018.00	LEFT DELIVERY HOSE TAIL	8x10
30	2826.0030.00	LEFT TAP	3/8-1/2 GAS
31	1214.0014.00	LEFT COMPLETE TAP	
32	1816.0123.00	30 BAR PRESSURE GAUGE	30 BAR-1/4"

PRICES SUBJECT TO CHANGE WITHOUT NOTICE.